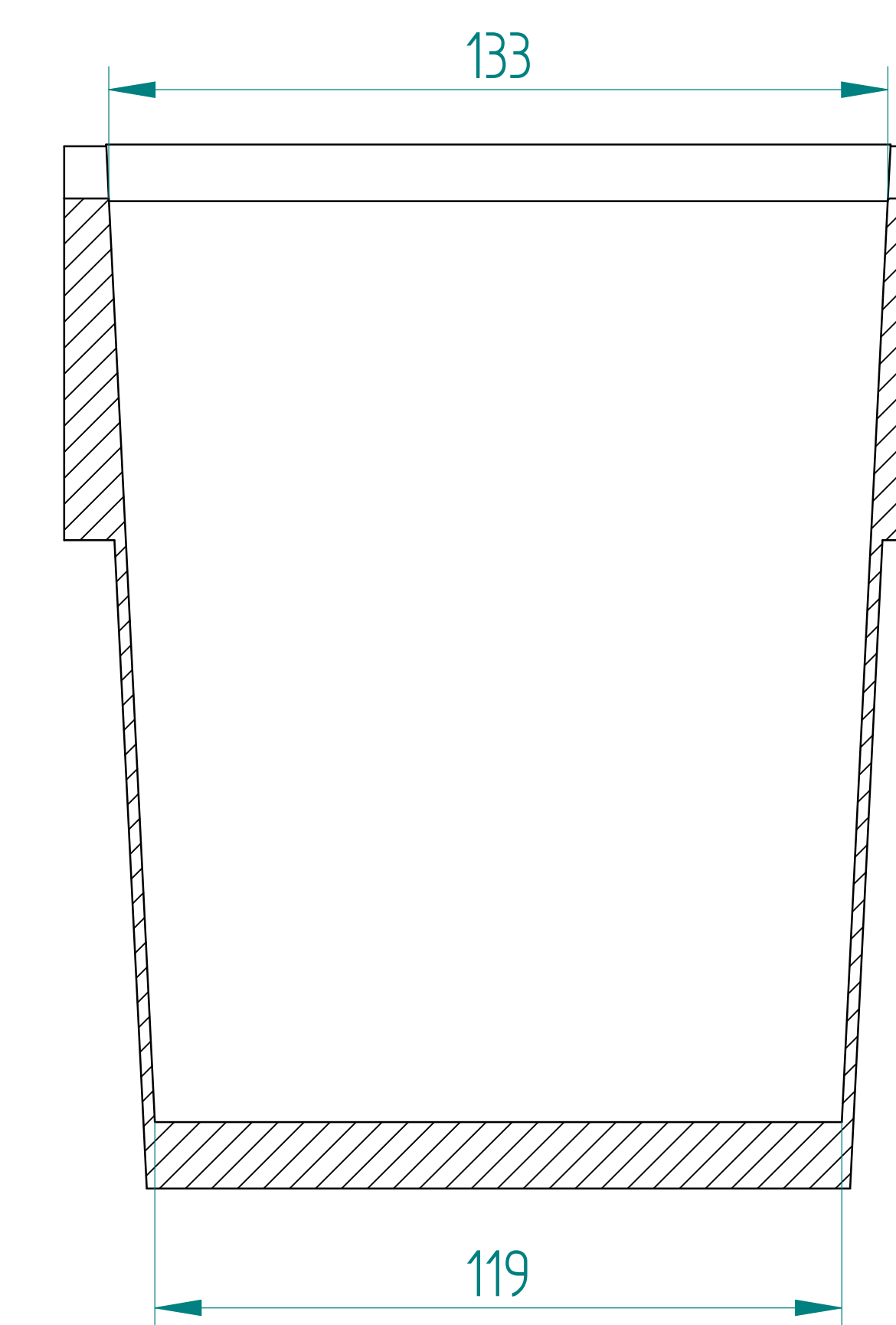
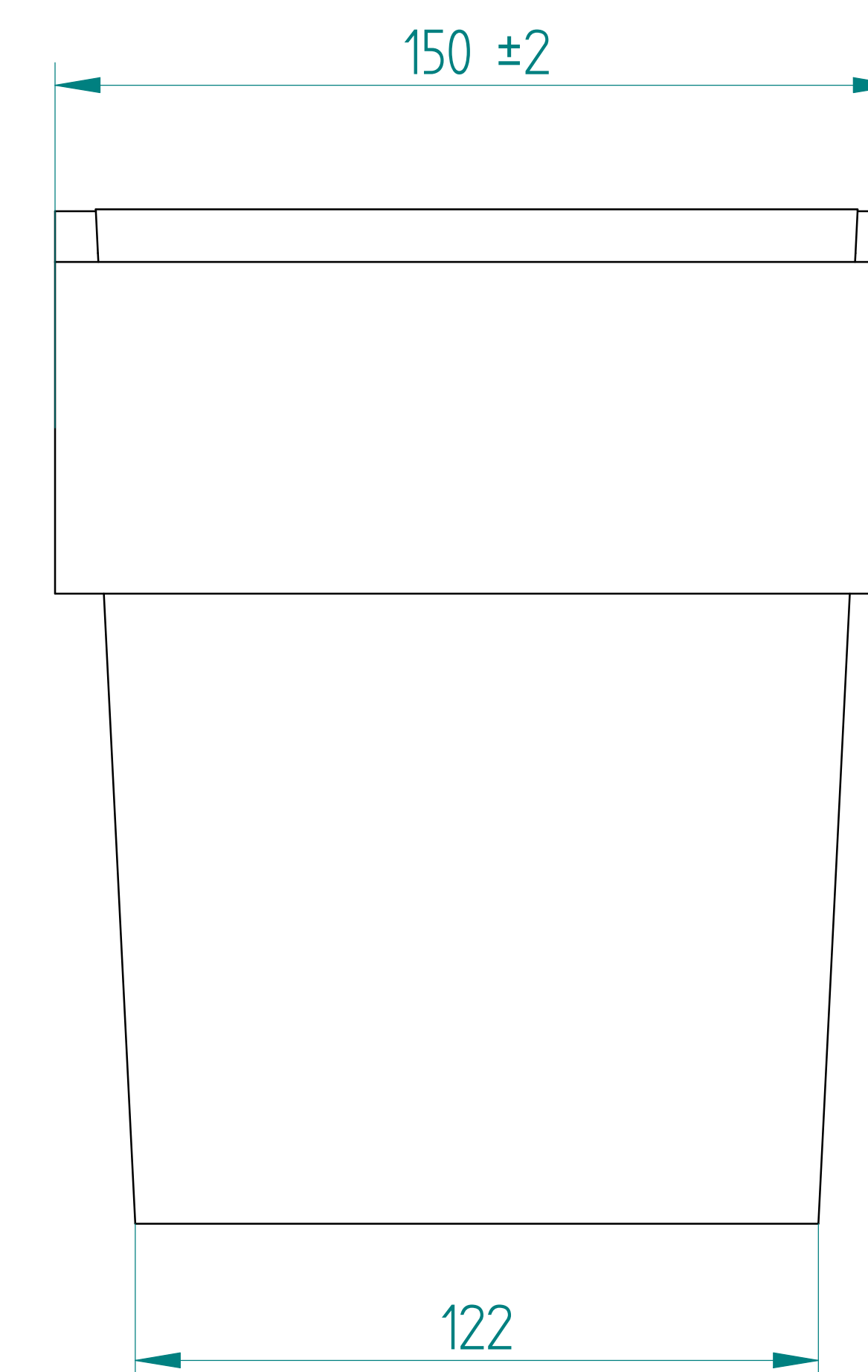
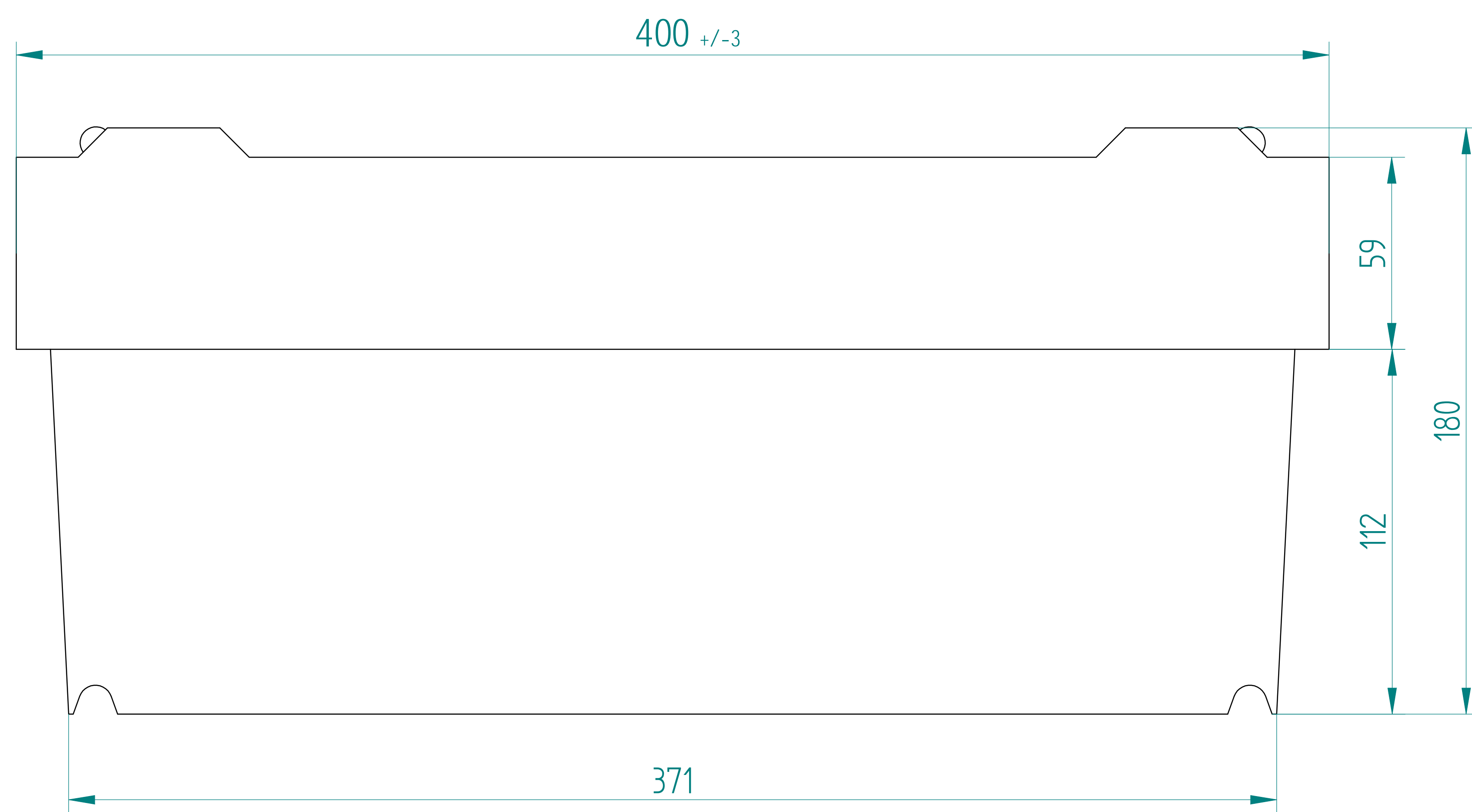
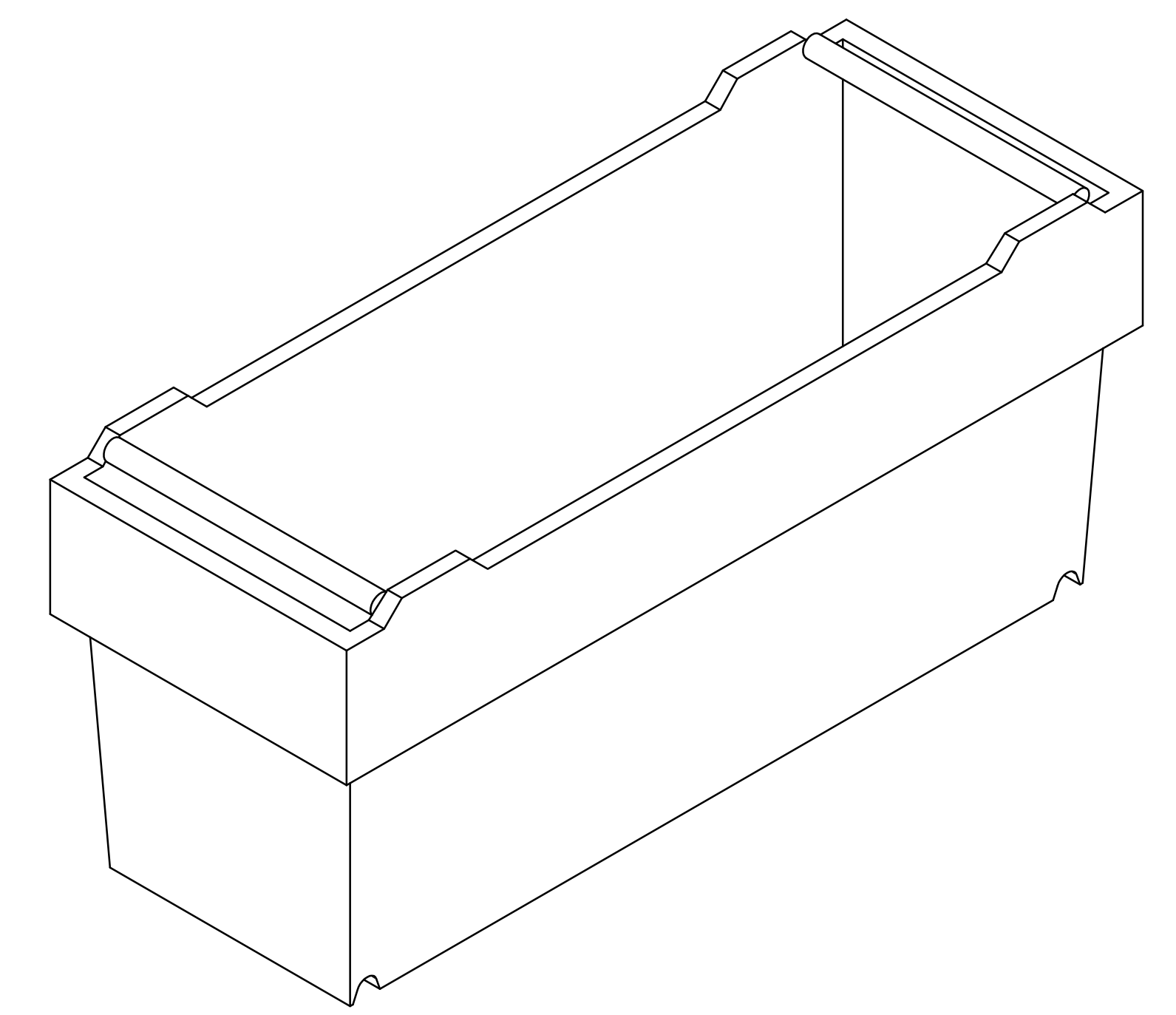
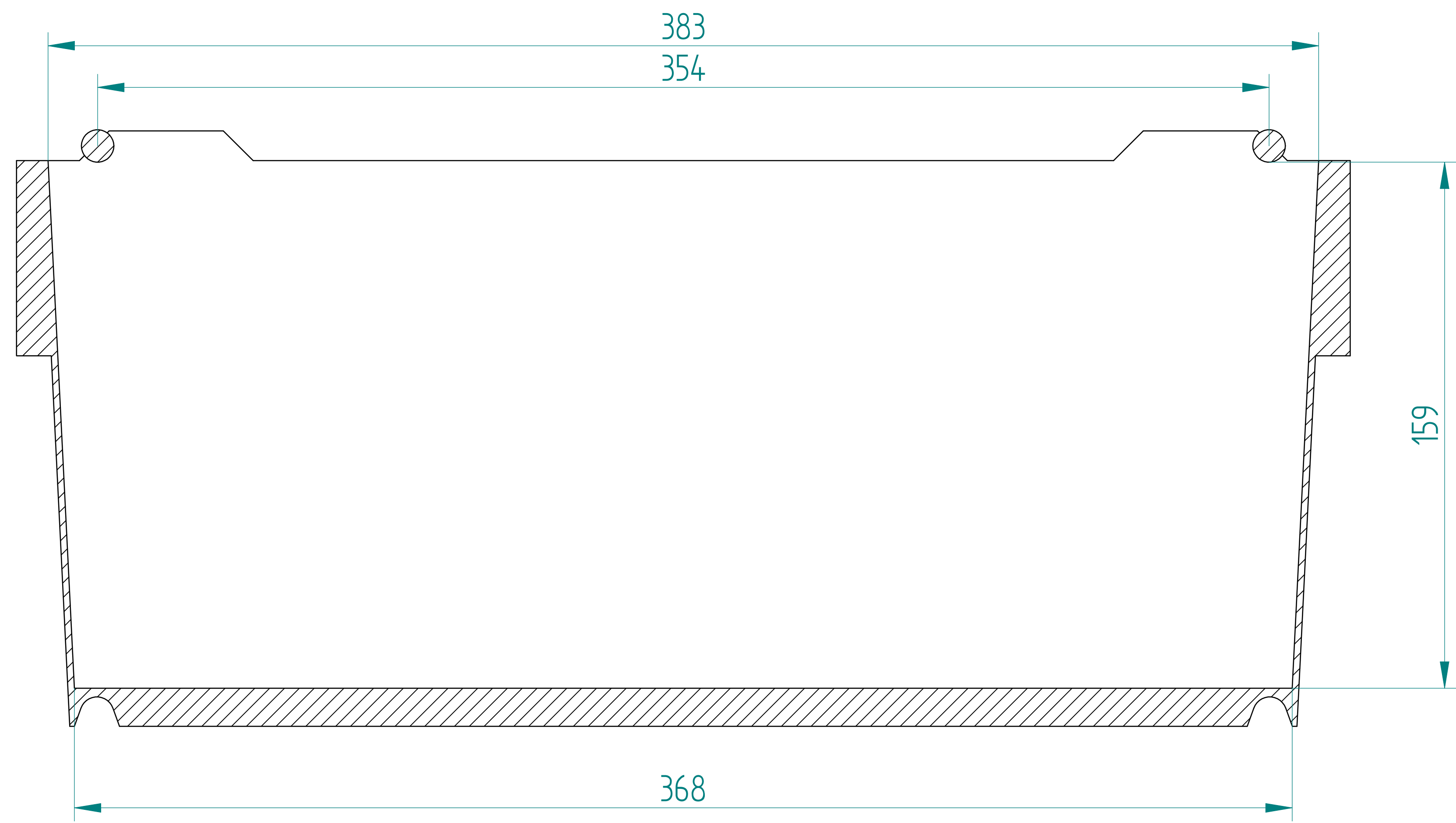
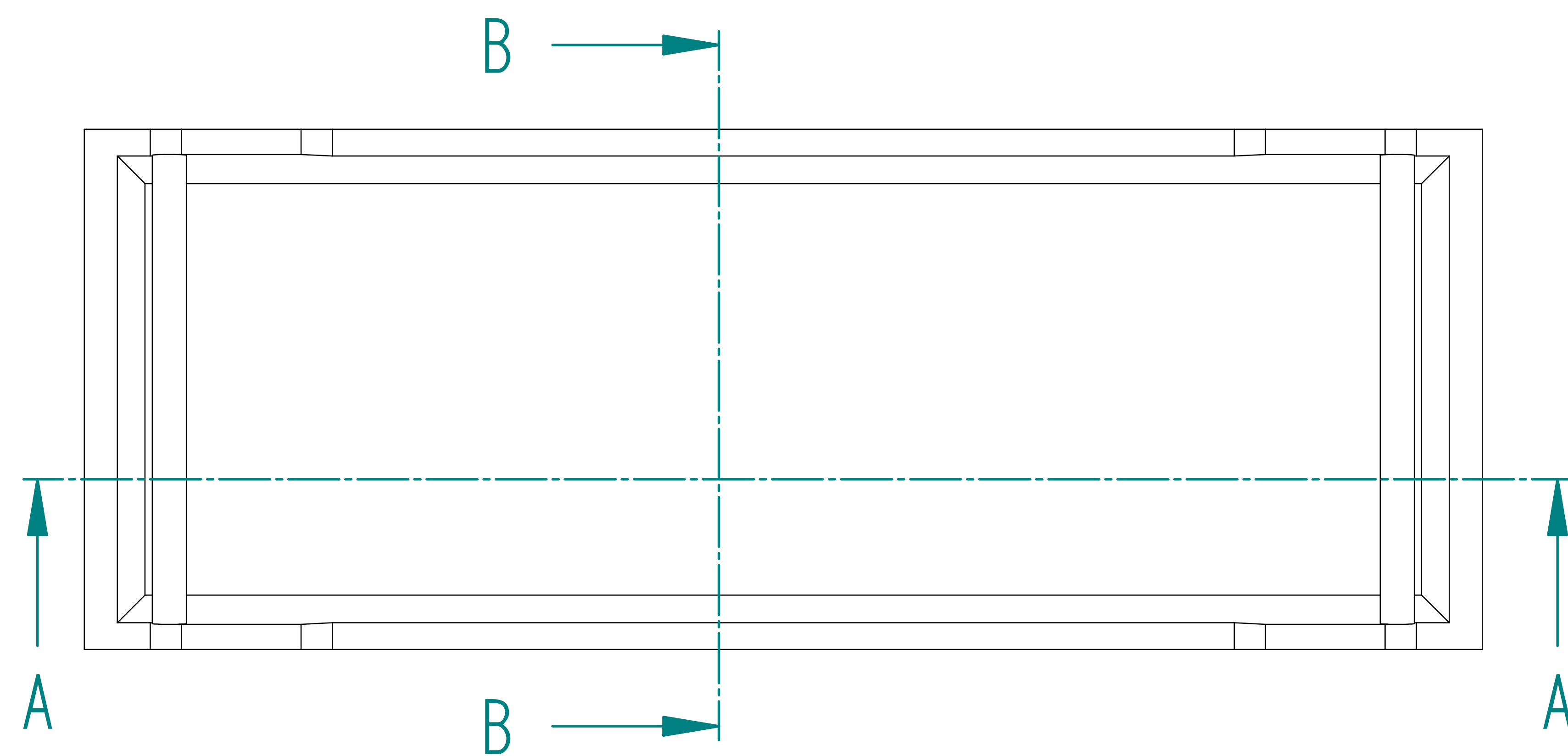


# SECTION A-A



# SECTION B-B



Filename: B7-400-150-180.dft  
For other dimensions refer to 3D-file: B7-400-150-180.par

Revision		Date		Designer	
Error: No reference					
General wall thickness	mm	Material	Weight	Project No.	
General Draft		Designer	Date	Scale	
General Rib thickness	mm	Check	Date	Projection method	Format
Unless otherwise specified, use radius R1					
Unless otherwise specified, use tolerance +/-0.25%					
Change Drawing with CAD only					
Description			B7 - 400x150x180		
SZ-LV-Draht			Article No.	0000.000	Sheet 2
Drawing No.	Revision	Model No.	SAS 0000		