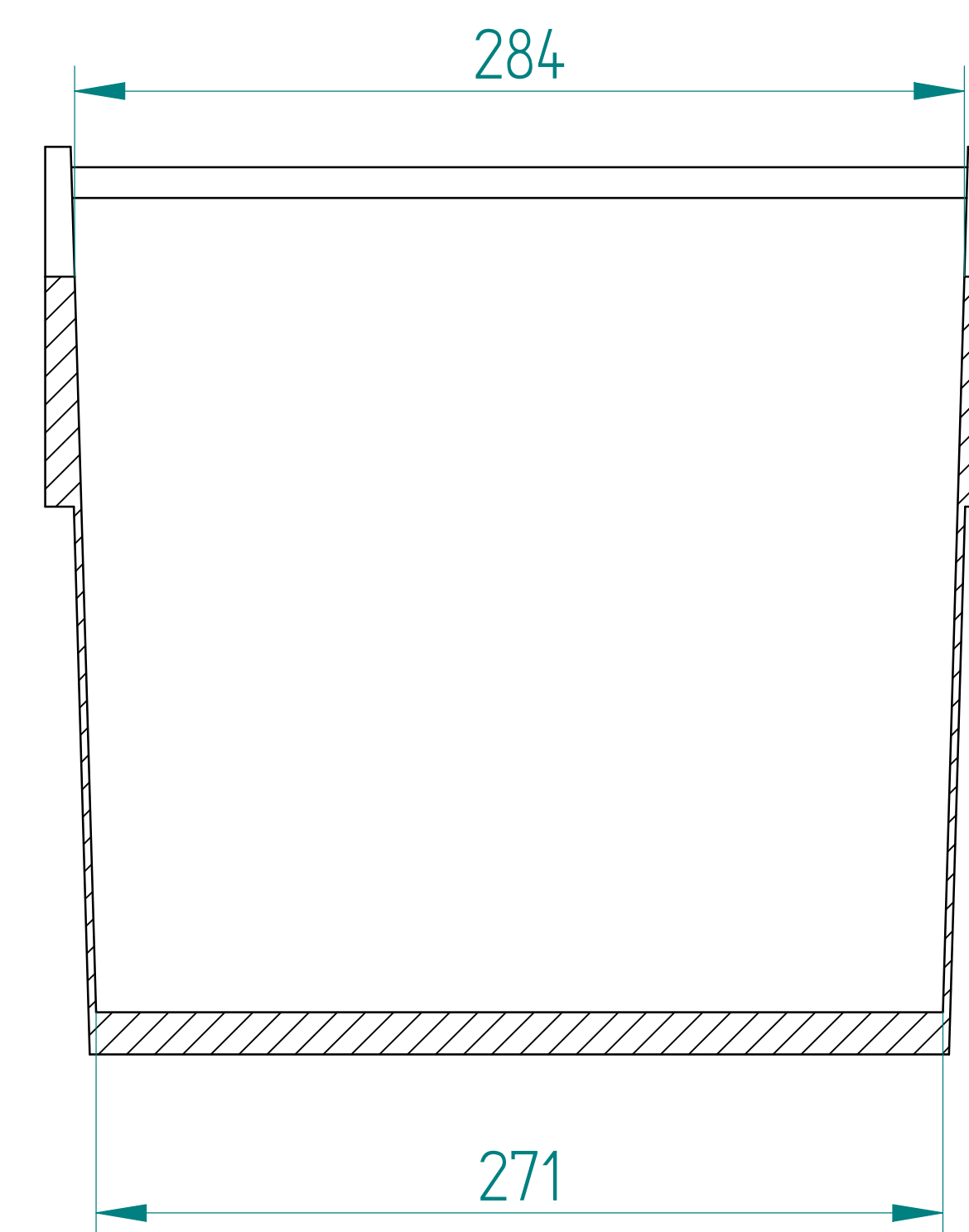
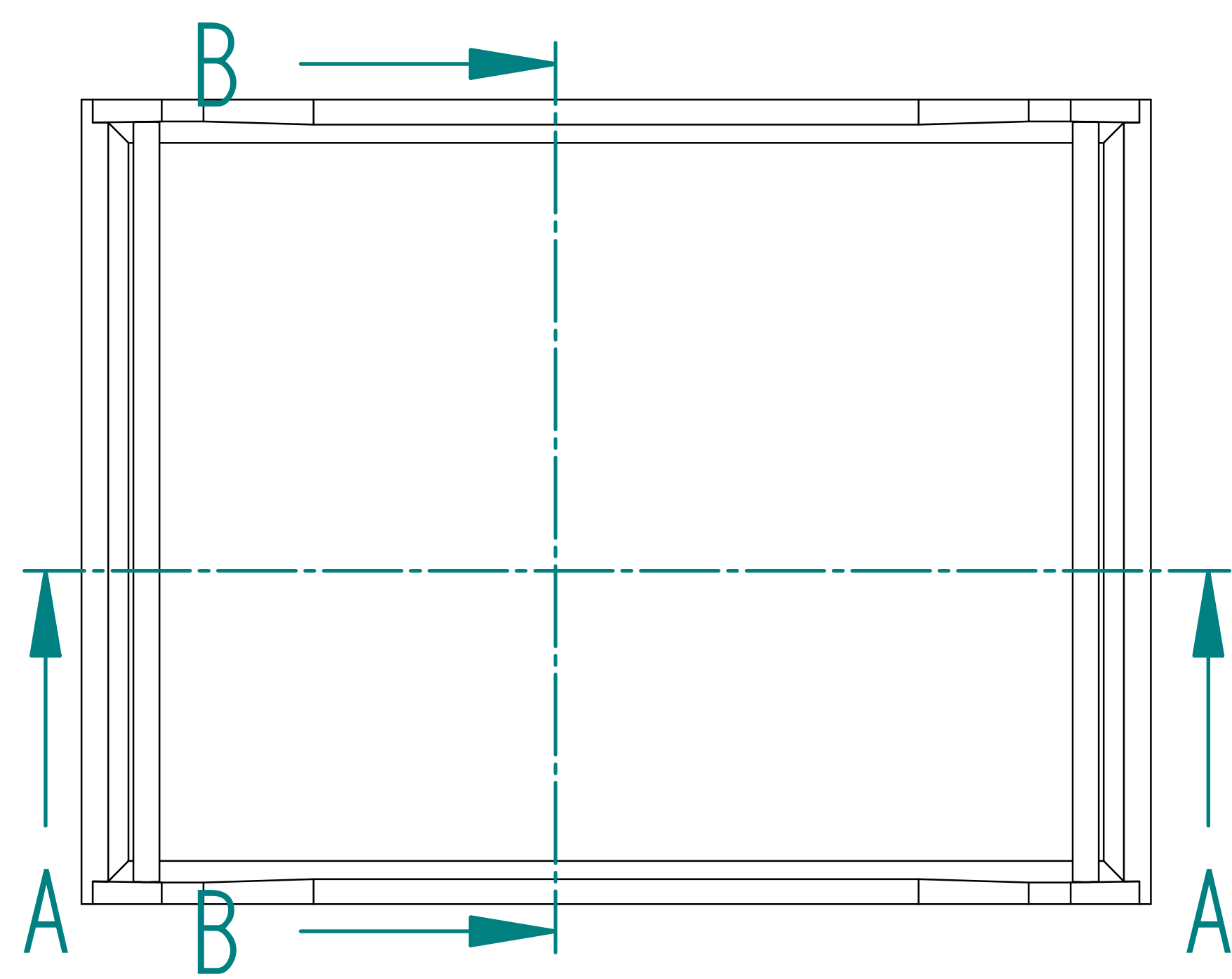
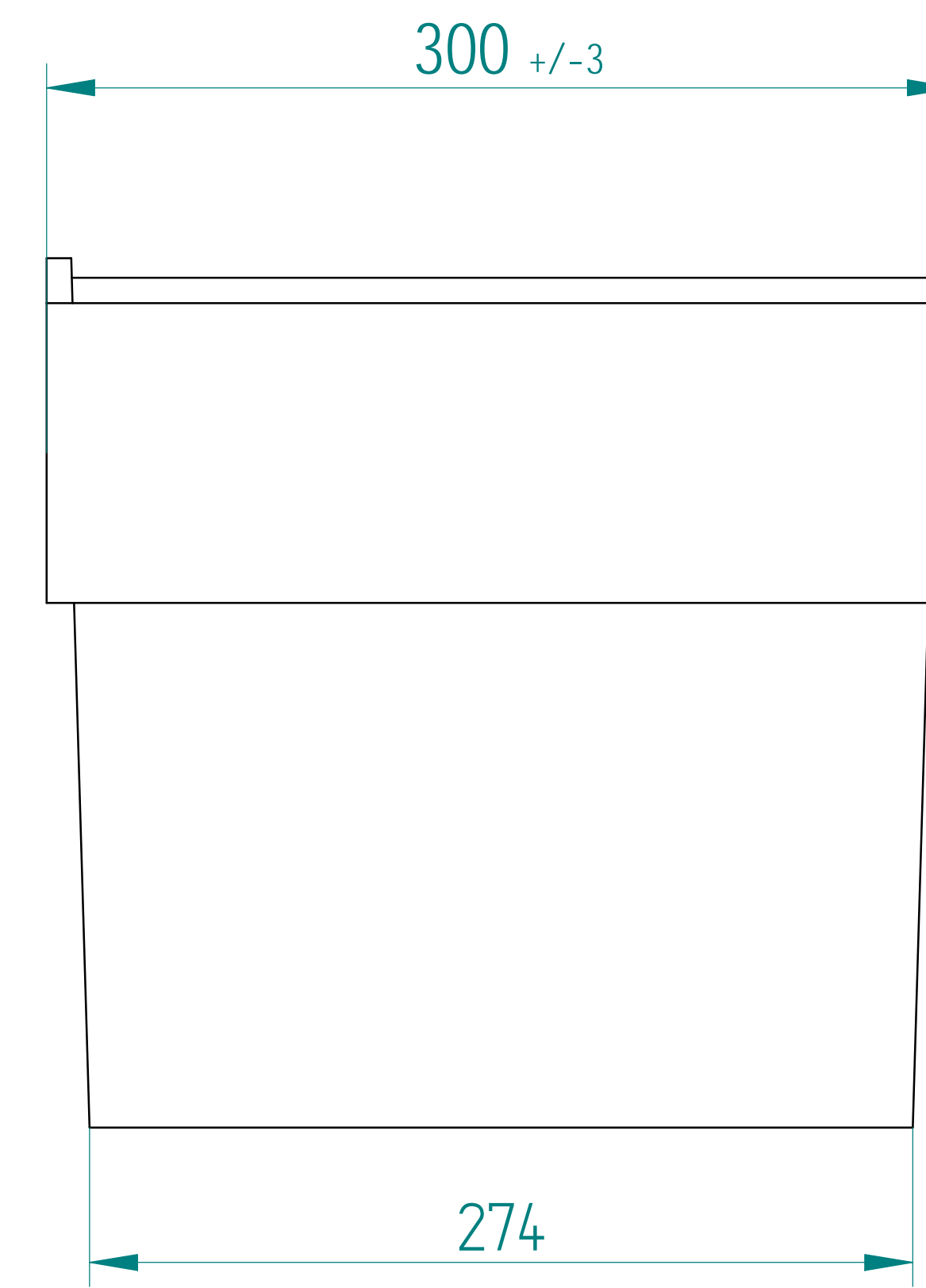
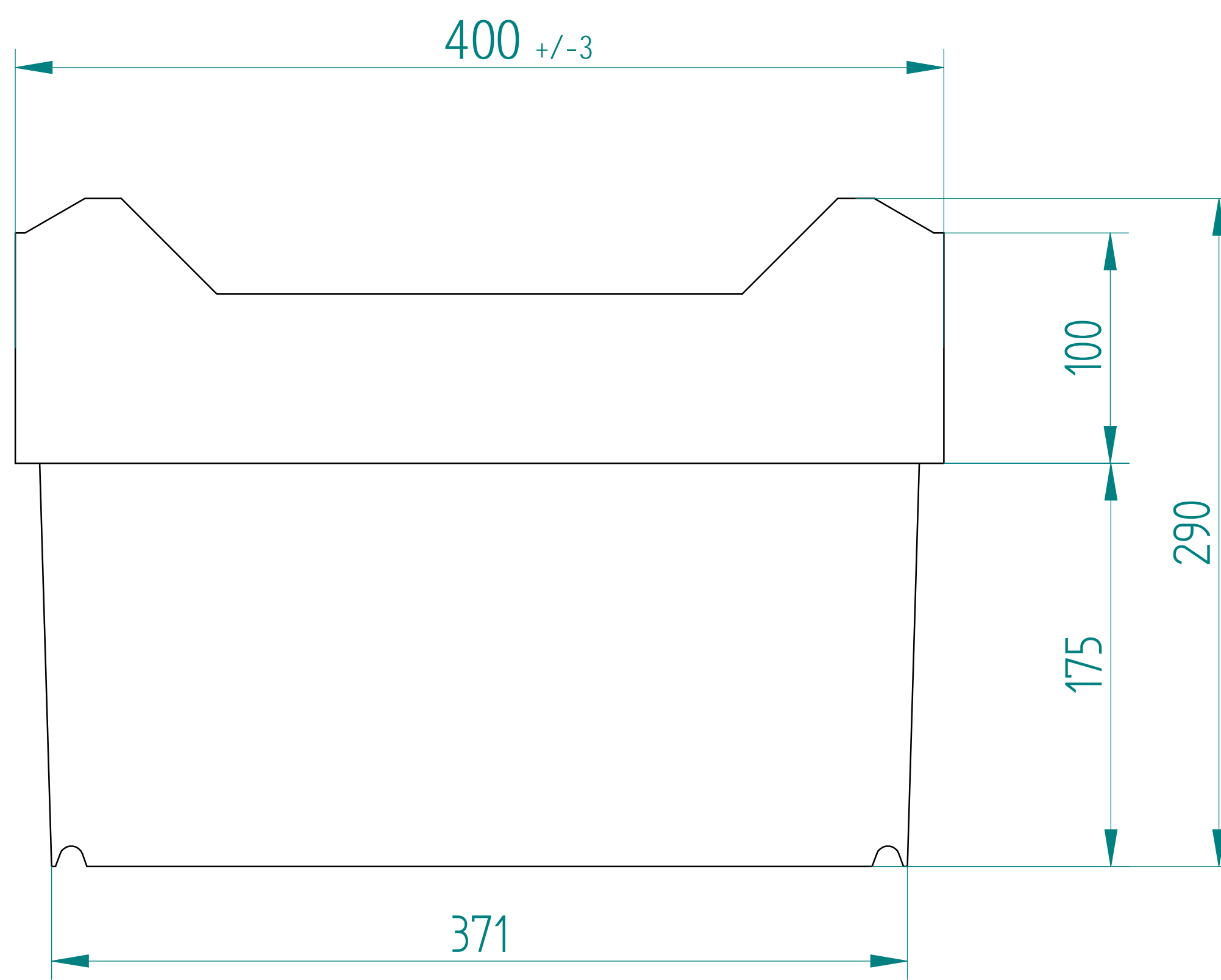
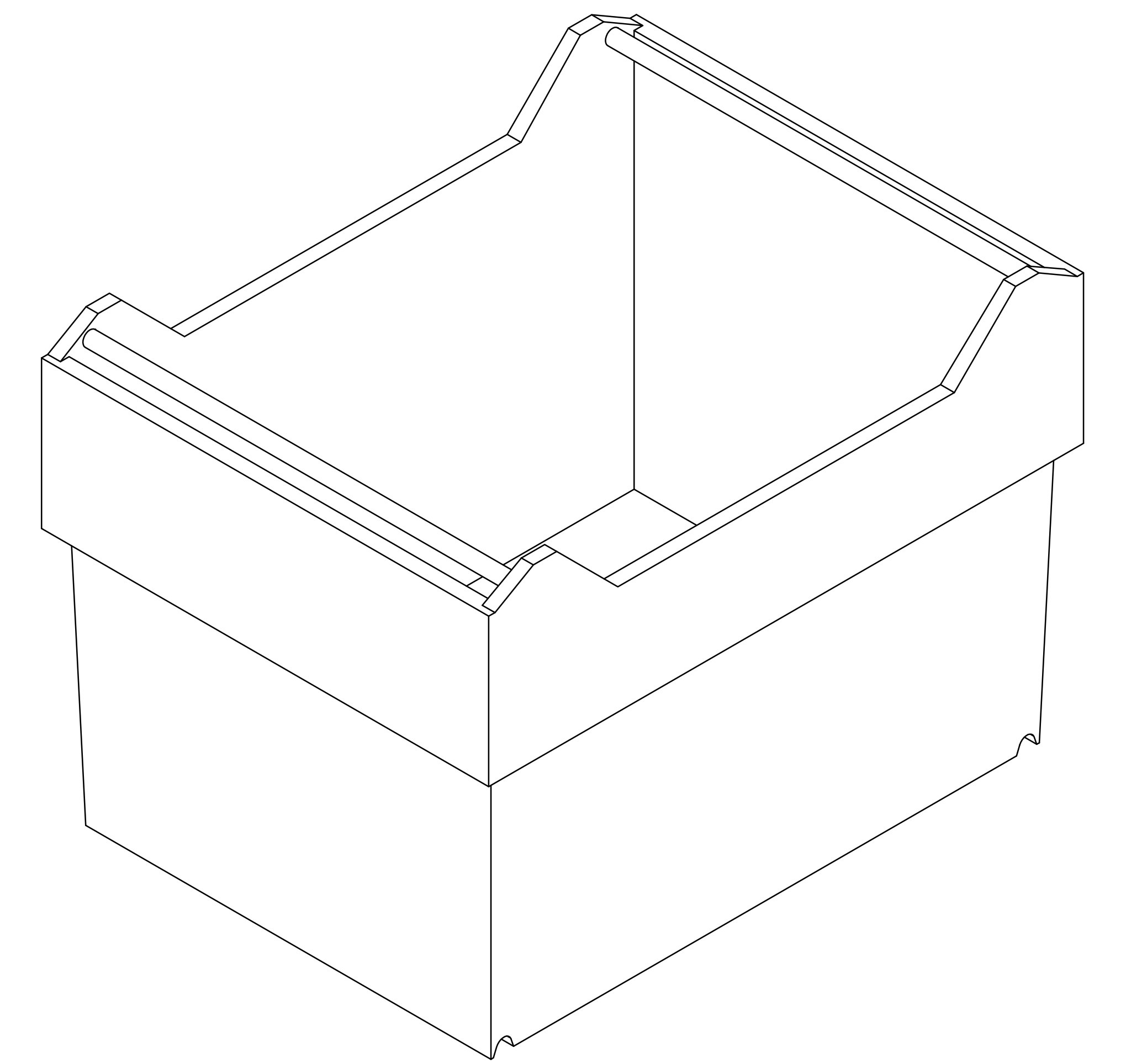


SECTION A-A



SECTION B-B

Filename: B3-400-300-290.dft  
For other dimensions refer to 3D-file: B3-400-300-290.par

|   |          |                  |          |                   |        |
|---|----------|------------------|----------|-------------------|--------|
| Revision  |          | Date             |          | Designer          |        |
| Error: No reference                                 |          |                  |          |                   |        |
| General wall thickness                              | mm       | Material         | Weight   | Project No.       |        |
| General Draft                                       | mm       | Designer         | Date     | Scale             |        |
| General Rib thickness                               | mm       | Check            | Date     | Projection method | Format |
| Unless otherwise specified, use radius R1           |          |                  |          |                   |        |
| Unless otherwise specified, use tolerance +/- 0.25% |          |                  |          |                   |        |
| Change Drawing with CAD only                        |          |                  |          |                   |        |
| Description   |          | B3 - 400x300x290 |          |                   |        |
| SZ-LV-Draht   |          | Article No.      | 0000.000 | Sheet             | 2      |
| Drawing No.   | Revision | Model No.        | SAS 0000 | Format            | A0     |
|   |          |                  |          |                   |        |