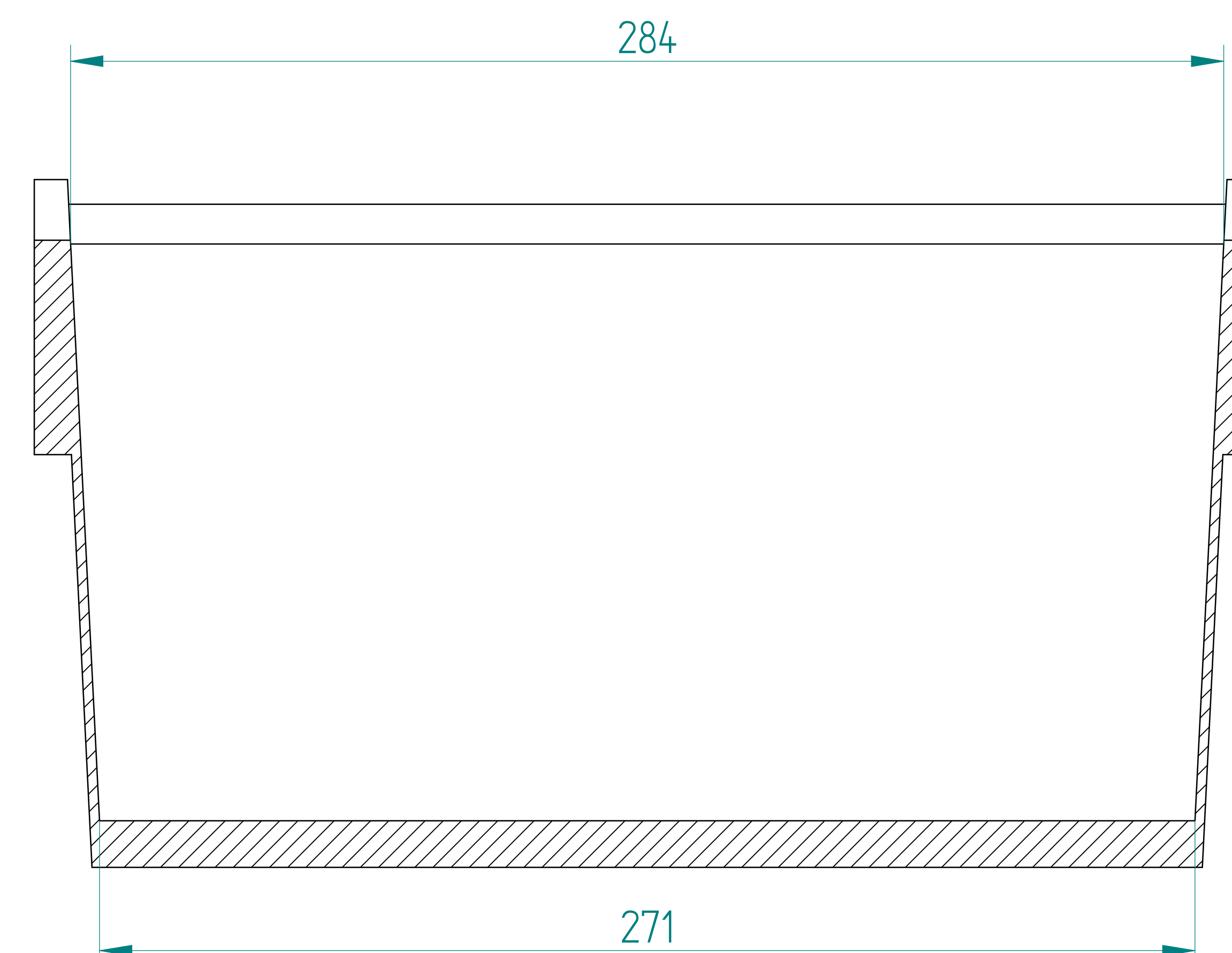
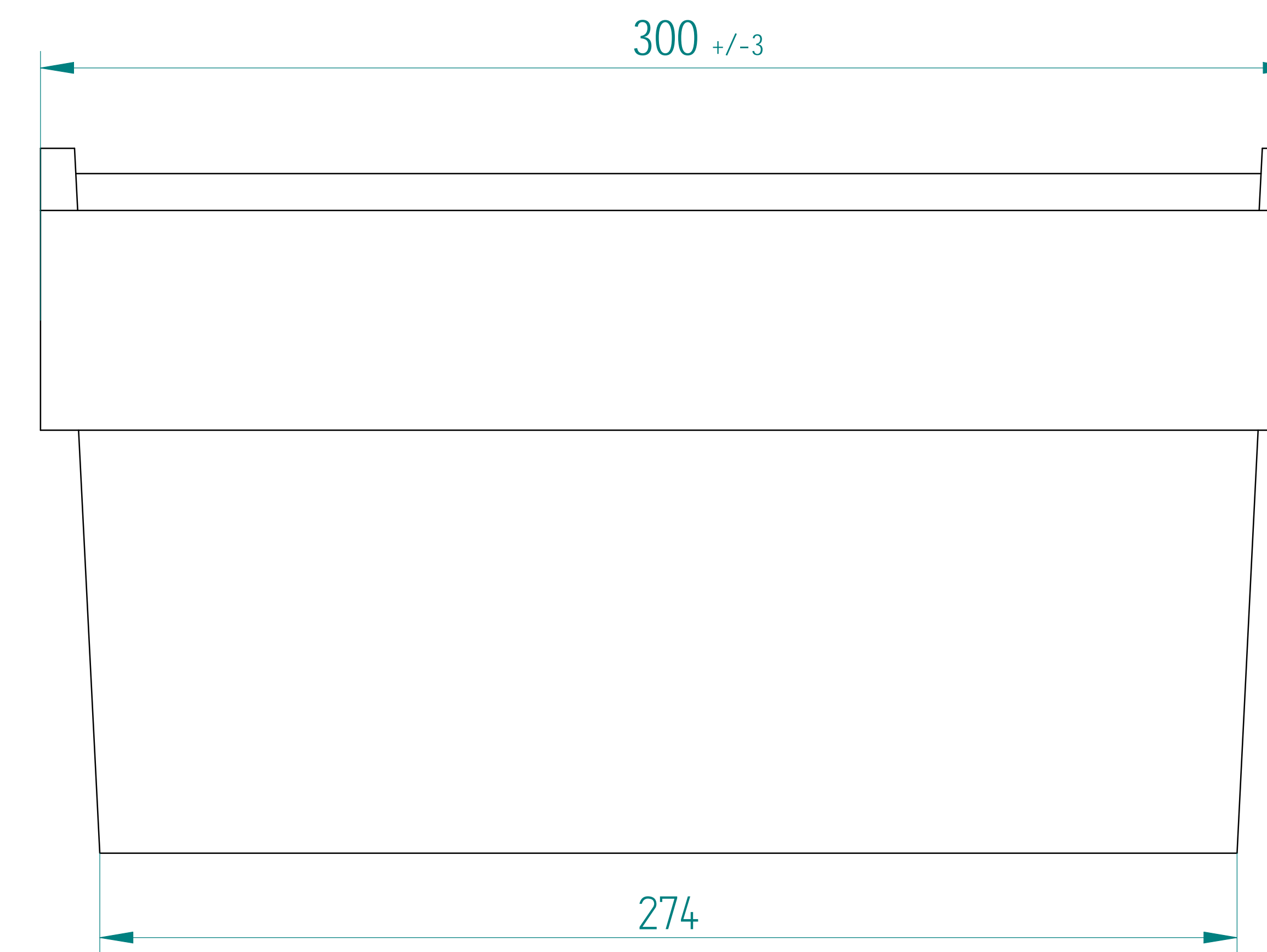
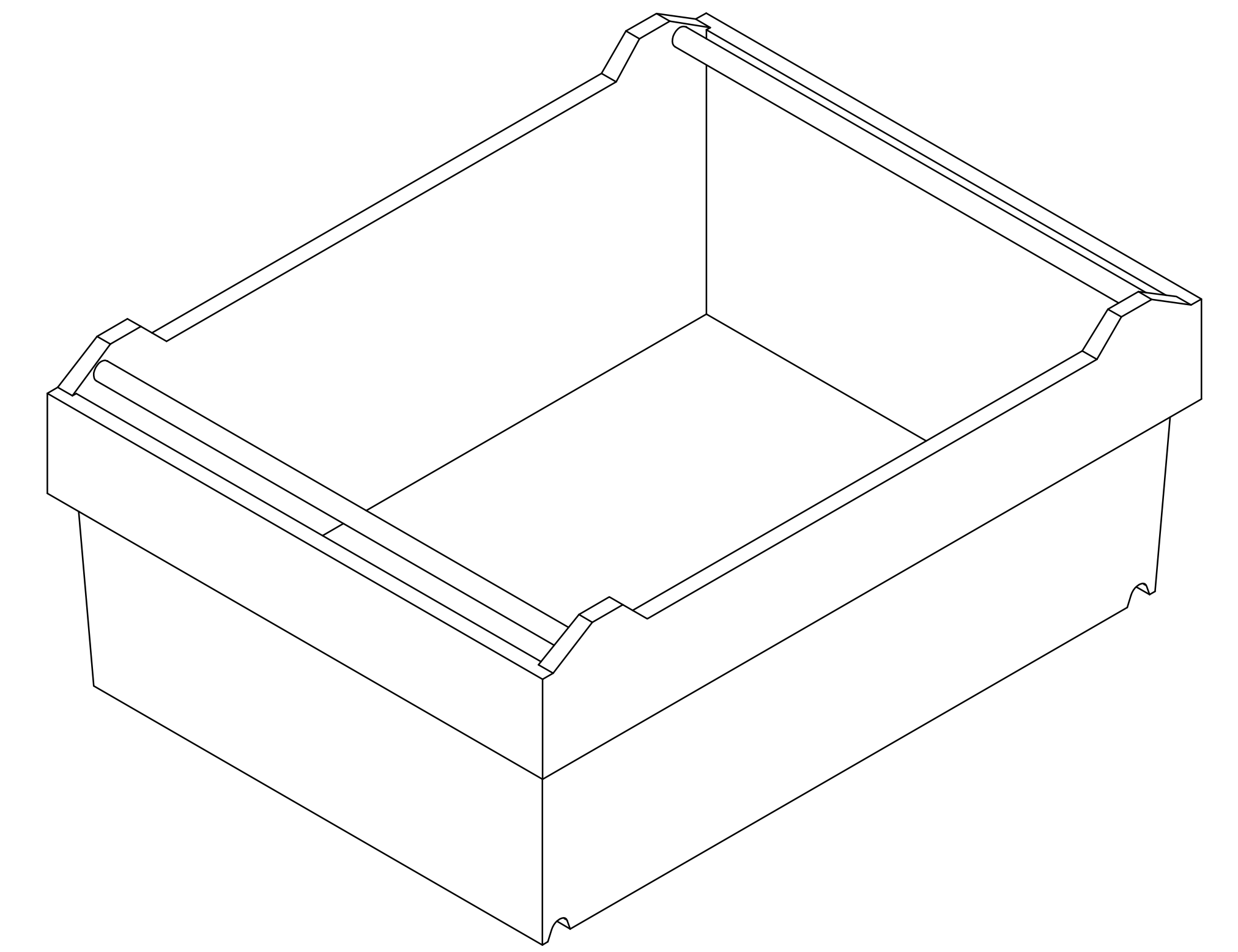
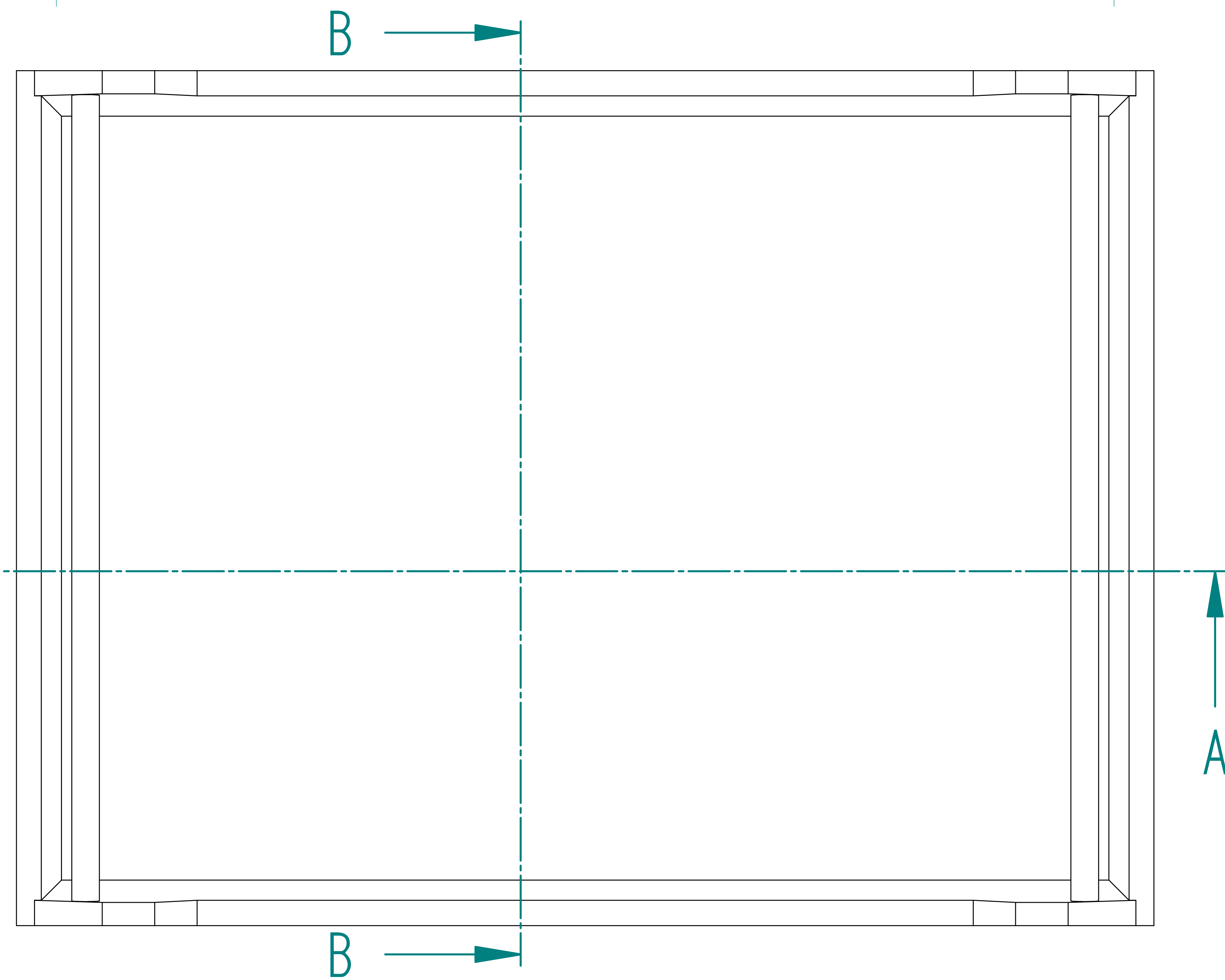
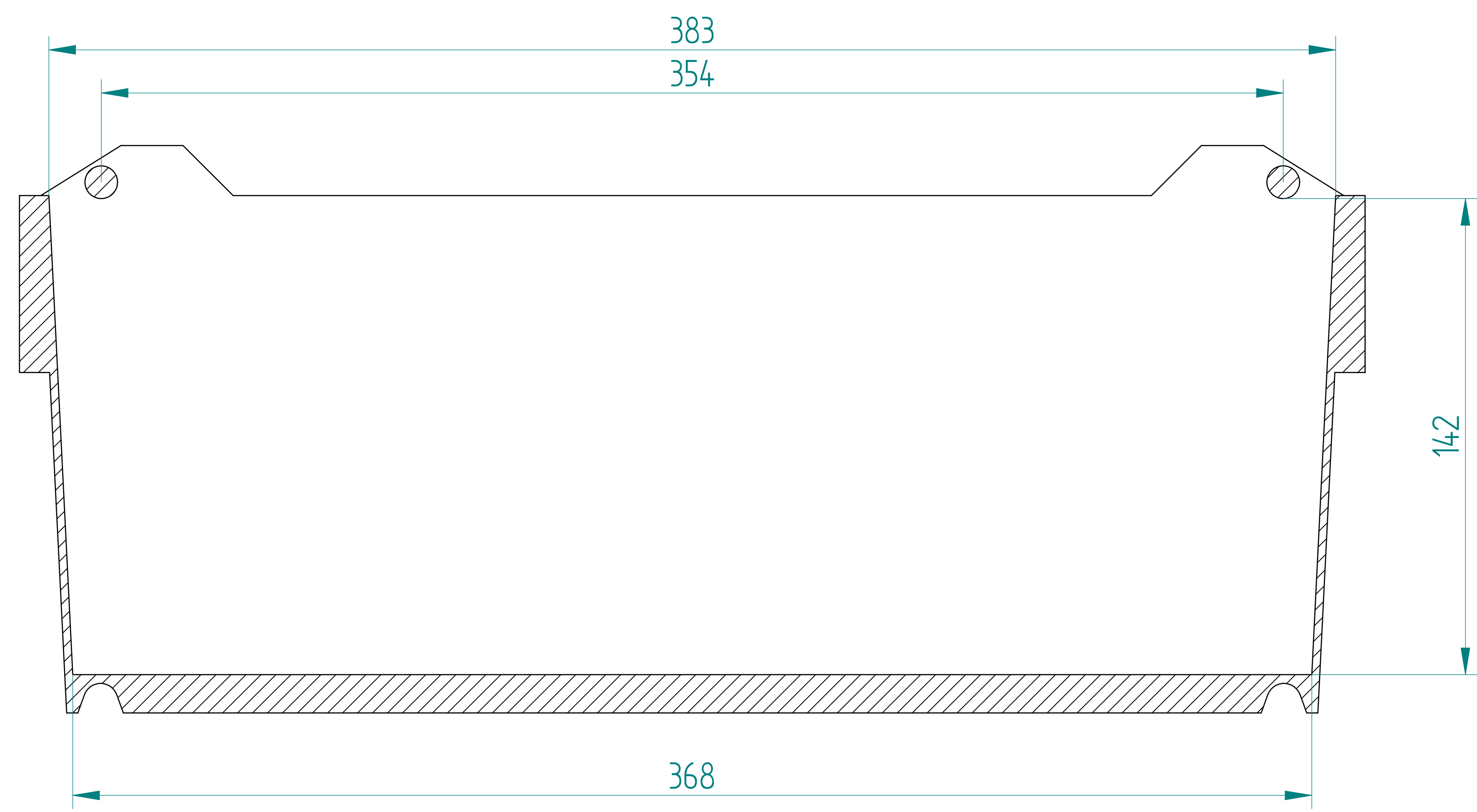


SECTION A-A



SECTION B-B

Filename: B2-400-300-170.dft
For other dimensions refer to 3D-file: B2-400-300-170.par

Revision		Material		Weight		Project No.	
General wall thickness		mm		Error: No reference			
General Draft				2014-02-05		Scale	
General Rib thickness		mm		Date		Format	
Unless otherwise specified, use radius R1		Check		Date		Projection method	
Change Drawing with CAD only						AO	
Description		B2 - 400x300x170		Article No. 0000.000		Sheet 2	
SZ-LV-Draft		Drawing No.		Revision		Mould No. SAS 0000	